

**GRIGLIE GAS PIETRA LAVICA TOP E700XP  
GAS LAVA STONE GRILL TOP E700XP**

PNC	Model	Ref	Pag.	Brand	Version	Notes
371044	E7GRGDLC00	a		ELX	GAS TOP 400 MM	
371045	E7GRGHLC00	b		ELX	GAS TOP 800 MM	
372044	Z7GRGDLC00	c		ZAN	GAS TOP 400 MM	
372045	Z7GRGHLC00	d		ZAN	GAS TOP 800 MM	
372161	Z7GRGDLC0H	e		ZAN	GAS TOP 400 MM-HAKVOORT	
372162	Z7GRGHLC0H	f		ZAN	GAS TOP 800 MM-HAKVOORT	
373044	A7GRGDLC00	g		OEM	GAS TOP 400 MM	
373045	A7GRGHLC00	h		OEM	GAS TOP 800 MM	
<b>373228</b>	<b>A7GRGDLC0K</b>	<b>i</b>		<b>KIP</b>	<b>GAS TOP 400 MM</b>	



PLATON SERVICE  
8 (800) 500-34-41  
www.platonservice.com

Pag	Index	Indice	Note
2	General components	Componenti struttura	
3	Gas components	Componenti Gas	
4,5	Spare parts list	Lista ricambi	

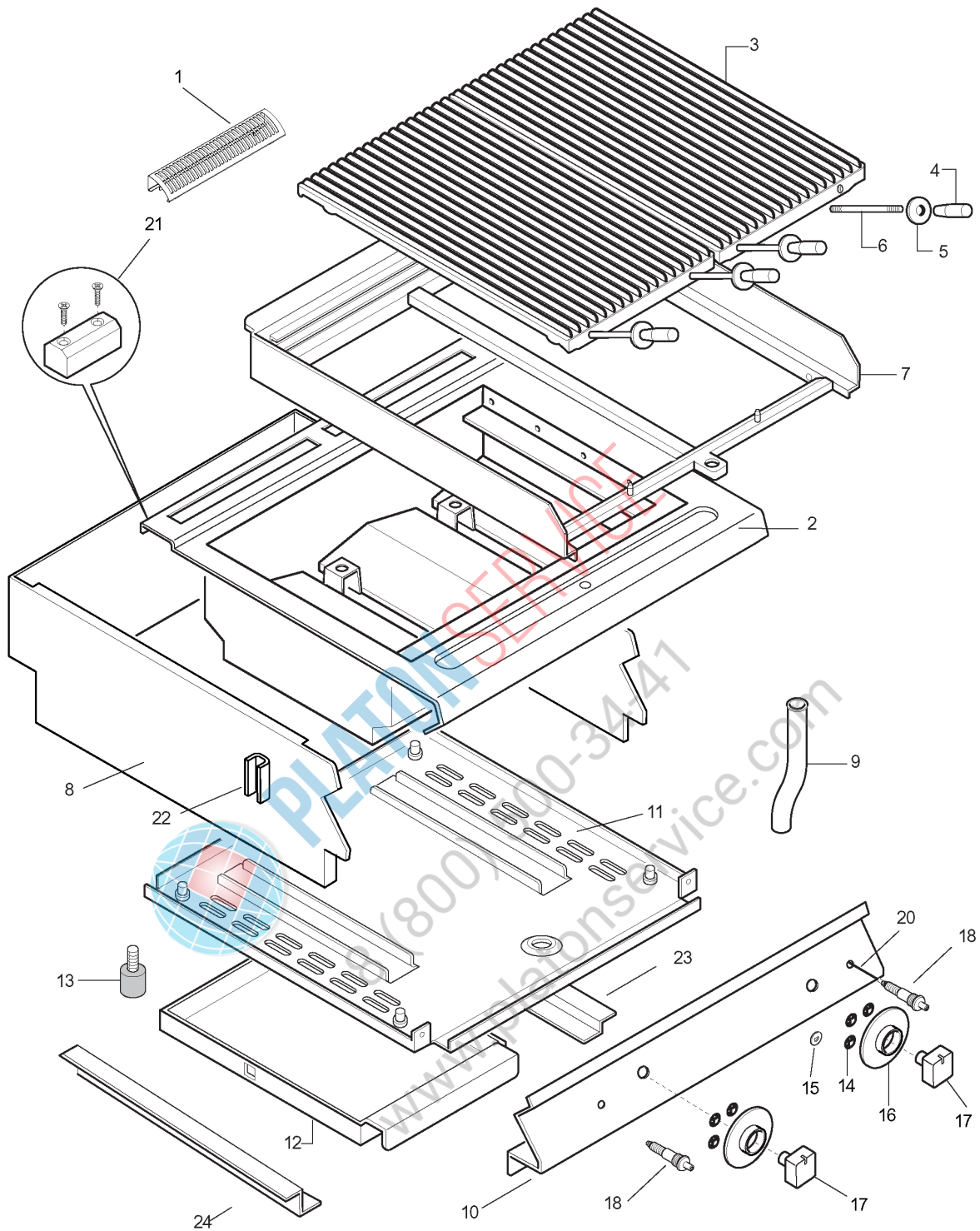
Brand/Marchio: All  
Factory code: 9PDX

From sr. Nr/ Da Ser. Nr.: 116

Page: 1

Ed. 2013 04

Doc. Nr.: **59785DZ00**



From sr. Nr/ Da Ser. Nr.: 116

Page: 2

Ed. 2013 04

Doc. Nr.: **59785DZ00**

??????		371044									
??????		59785DZ00		????????? 2		General components					
.		Alias		S		.				(Euro)	
0001	0C7333	50389LP00		S				CHIMNEY GRID; L=400MM	ELX	25,68	
0002	0C7831	87089CL00						SHELF	ELX	350,20	
0002	0C7832	87089CM00						SHELF	ZAN, OEM	288,30	
0002	0C7839	87089KQ00						SHELF	ZAN, OEM	343,10	
0003	053693	510801516	0C9059			+		GRID-IRON; 340X545 MM			
0004	057728	248203901						HANDGRIP; Ø MAX=28,5MM; HOLE=M8		7,24	
0005	002272	548815801						HANDGRIP PROTECTION; ØE=45MM ØI=8,5MM		10,87	
0006	053705	514808217						DUMMY SCREW		5,23	
0007	0C5280	870873901						SPLASH GUARD; ASSY; 1/2M N700	400mm	220,30	
0007	0C5281	870874001						SPLASH GUARD; ASSY; 1M N700	800mm	270,00	
0008	000000	85089F700							ELX - 400mm		
0008	000000	85089F800							ELX - 800mm		
0008	000000	85089FA00							ZAN, OEM - 400mm		
0008	000000	85089FB00							ZAN, OEM - 800mm		
0009	000000	513806900									
0010	000000	50389V401							OEM		
0010	000000	50389V501							OEM		
0010	0C7820	85089DC00						CONTROL PANEL	ELX	72,78	
0010	0C7821	85089DD00						CONTROL PANEL	ELX	96,43	
0010	0C7835	87089KL00						CONTROL PANEL	ZAN	72,78	
0010	0C7838	87089KP00						CONTROL PANEL	ZAN	96,43	
0011	000000	5038A2801									
0011	000000	5038A2901									
0012	004803	524841301						BASIN	400mm	55,52	
0012	005498	524837402						BASIN	800mm	71,35	
0013	026806	315252601		S				FOOT WITH SCREW M6; Ø=18MM		2,80	
0014	069567	218912211	0C6288					RING CONNECTION			
0015	0C6171	541813800	0C6172	S				WASHER; SILICONE			
0016	0C6671	548876S00		S				RING NUT	ELX	7,95	
0016	0C7244	548879G00						RING NUT	ZAN, OEM	6,27	
0017	0C6746	548876W00						KNOB; DIA.8	KIP, I	9,94	
0017	0C7330	511850D02	0C8645					KNOB	ELX		
0017	0C7425	548878101		S				KNOB; DIA.8MM	ZAN	16,00	
0018	059251	835829600	0C9240			02005		PIEZOELECTRIC IGNITER			
0020	006514	638883500	002544	A				IGNITION CABLE; 700 MM			
0021	0C0137	516860700	0C9655			+		PLATE			

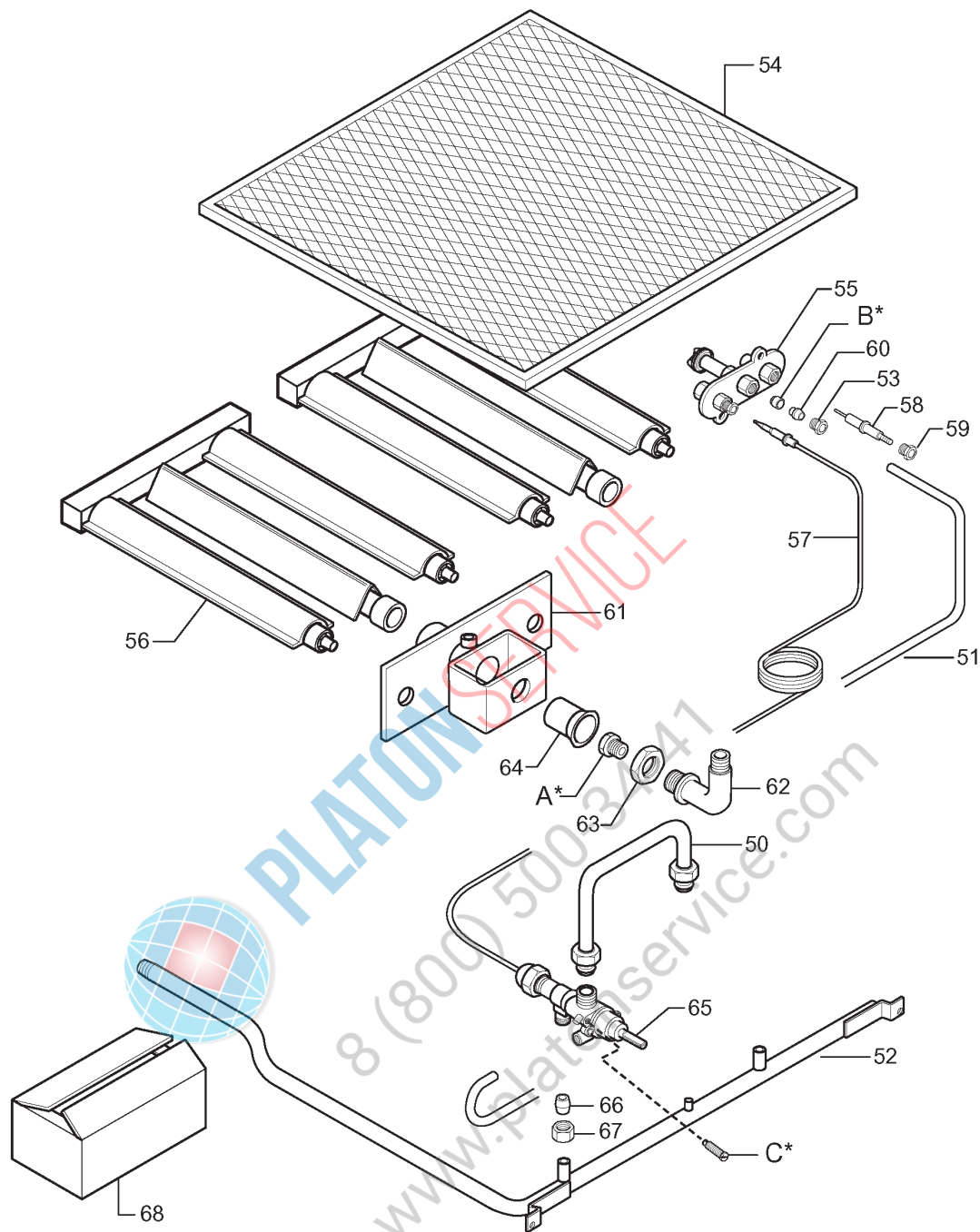
??????	371044										
??????	59785DZ00	???????? 2	General components								
.		Alias		S			.			(Euro)	
0022	0C0156	527850500							BRACKET	2,41	
0023	0C4379	527800303							SLIDING RUNNER; DX; N700	TOP INSTALLATION	22,13
0023	0C5048	533850102							BASIN GUIDE; RIGHT	ON BASE	22,94
0024	0C4380	527800203							SLIDING RUNNER; SX; N700	TOP INSTALLATION	22,13
0024	0C5049	533850202							BASIN GUIDE; LEFT	ON BASE	22,94



**PLATON SERVICE**

8 (800) 500-34-41

www.platonservice.com



A - Ugello bruciatore / Burner nozzle	
6DGT Code	Ref. / Notes
0A2102	ø2 2H/2E+ G20 20mbar
0A2077	ø1.85 2H G20 25mbar
0A2083	ø2.20 2ELL G25 20mbar
058335	ø2.05 2L G25 25mbar
0A2533	ø1.35 3+3B/P G30 30mbar
002393	ø1.30 3B/P G30 36mbar
0A2650	ø1.20 3B/P G30 50mbar
059418	ø2.15 2S G25.1 25mbar
0A2475	ø2.25 No CE G20 10mbar
0A2306	ø4 1a G110
059359	ø3.6 1b G120

B - Ugello pilota / Pilot nozzle	
6DGT Code	Ref. / Notes
053670	n°41 2H/2E+ G20 20mbar
053670	n°41 2H G20 25mbar
053670	n°41 2ELL G25 20mbar
053670	n°41 2L G25 25mbar
054593	n°25 3+3B/P G30 30mbar
054593	n°25 3B/P G30 36mbar
054593	n°25 3B/P G30 50mbar
053670	n°41 2S G25 25mbar
053670	n°41 No CE G20 10mbar
053669	n°75 1a G110
053669	n°75 1b G120

C - Vite di minimo / Min screw	
6DGT Code	Ref. / Notes
003182	n°140 2H/2E+ G20 20mbar
003182	n°140 2H G20 25mbar
003182	n°140 2ELL G25 20mbar
003182	n°140 2L G25 25mbar
002909	n°95 3+3B/P G30 30mbar
002926	n°90 3B/P G30 36mbar
002899	n°80 3B/P G30 50mbar
003182	n°140 2S G25.1 25mbar
003182	n°140 No CE G20 10mbar
-	adj 1a G110
-	adj 1b G120

From sr. Nr/ Da Ser. Nr.: 116

Page: 3

Ed. 2013 04

Doc. Nr.: **59785DZ00**

??????	371044								
??????	59785DZ00	???????? 3	Gas components						
.		Alias		S		.			(Euro)
0000	002393							GAS NOZZLE; DIA 1,30	7,85
0000	002899							MINIMUM SCREW; Ø=0,80; NG	8,16
0000	002909							MINIMUM SCREW; Ø=0,95	7,32
0000	002926							NOZZLE; 0,90MM	8,16
0000	003182							SCREW	8,16
0000	053669							PILOT NOZZLE; N°75; TOWN GAS	2,21
0000	053670							PILOT NOZZLE; N.41 GN	2,17
0000	054593							PILOT NOZZLE; N 25 GPL	2,38
0000	058335			S				NOZZLE	7,85
0000	059359							NOZZLE	8,26
0000	059418							NOZZLE	6,17
0000	0A2077							GAS NOZZLE; DIA 1,85	3,05
0000	0A2083							NOZZLE; N°220; NATURAL GAS	7,85
0000	0A2102							NOZZLE	6,17
0000	0A2306			S				NOZZLE	1,84
0000	0A2475							NOZZLE	6,17
0000	0A2533							NOZZLE	7,85
0000	0A2650							GAS NOZZLE; N°120; GPL 30-37MBAR	7,85
0050	000000	806850401						800mm	
0050	000000	806850501						800mm	
0050	000000	806850601						400mm	
0051	000000	517899801						400mm	
0051	000000	517899901						800mm	
0051	000000	544812201						800mm	
0052	0C3067	856801501						GAS FEED PIPE	400mm
0052	0C3068	856801601						GAS FEED PIPE	800mm
0053	052127	215199700						DOUBLE CONE; DIA 4MM	1,00
0054	006205	830825406						GRILL	400mm
0054	006206	830817303						GRATE FOR LAVA ROCK	800mm
0055	0A2472	A05488001						PILOT BURNER	13,04
0056	056655	830850804						BURNER; FOR GAS GRIDDLE	121,80
0057	051119	830853101						THERMOCOUPLE; M8X1 L=150 CM	8,49
0058	052610	330272401						SPARK PLUG; DIA 6X44 MM	4,40
0059	057960	214164101						PIPE FITTING; SPARK PLUG	1,25
0060	053665	515827401						DOUBLE CONE; DIAM.=4MM	1,00
0061	050874	315212624						MIXING CHAMBER	29,33

??????	371044									
??????	59785DZ00	???????? 3						Gas components		
.		Alias		S			.			(Euro)
0062	059375	511805801						NOZZLE		10,04
0063	020997	214105101						LOCK NUT		1,25
0064	051389	214078512						BUSH		19,18
0065	0C0205	835857202		S	A			VALVED GAS TAP; 21S		71,75
0066	060325	215073101						DOUBLE CONE; ØE=12MM; ØI=10 MM; L=7,5MM		2,07
0067	0A2125	514823901						NUT; M16X1,5		2,17
0068	050859	830825406						LAVA STONE; PACKAGE 5KG.		38,00



PLATON SERVICE

8 (800) 500-34-47

www.platonservice.com